

## Information sheet Y-Splitter

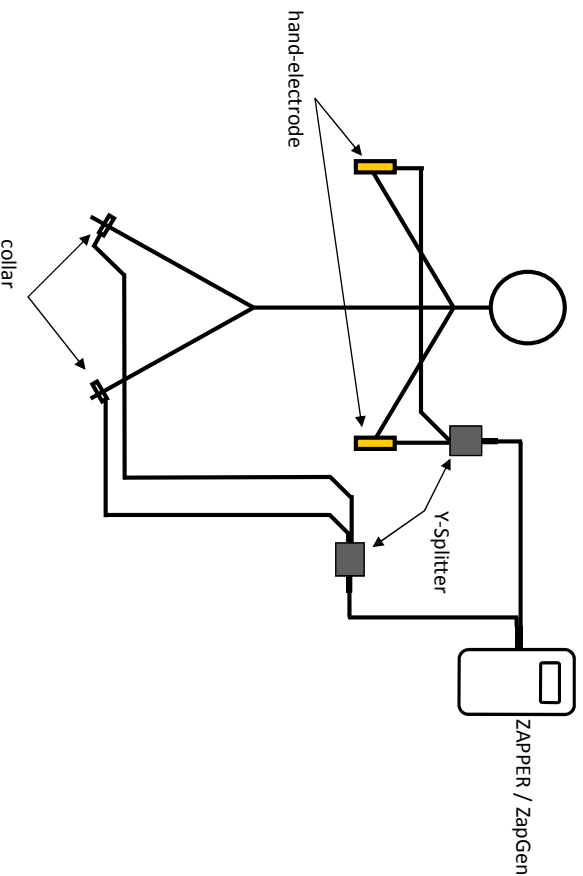
### Connection of the Y-Splitter:

The Y-Splitter allows to connect additional electrodes or wrist-collars at the ZAPPER or ZapGen.

A better penetration of the whole body with the electromagnetic frequencies will result.

To use the Y-Splitter, its black plastic box has to be connected to the ZAPPER / ZapGen instead of the normally plugged electrodes or wrist-collars. The two cables leading out of the splitter-box can now be used to connect additional hand-electrodes or wrist-collars.

One connection possibility with two Y-Splitters is exemplified in the following schema:



### Details regarding cleaning & maintenance:

The Y-Splitter is a passive distributor and therefore does not need a separate battery or power supply.

Please clean the Y-Splitter with a slightly moistened cloth if necessary. Do not use any kind of aggressive detergent. Do not dip the Y-Splitter into water or other fluids.

Please keep the Y-Splitter away from children.

### Repair or return consignment:

Please send the device if necessary *sufficiently prepaid* to:

Spedition HASPED  
für BONNEL TECHNOLOGIE  
Egerstraße 57  
D-95706 Schirnding  
Germany